



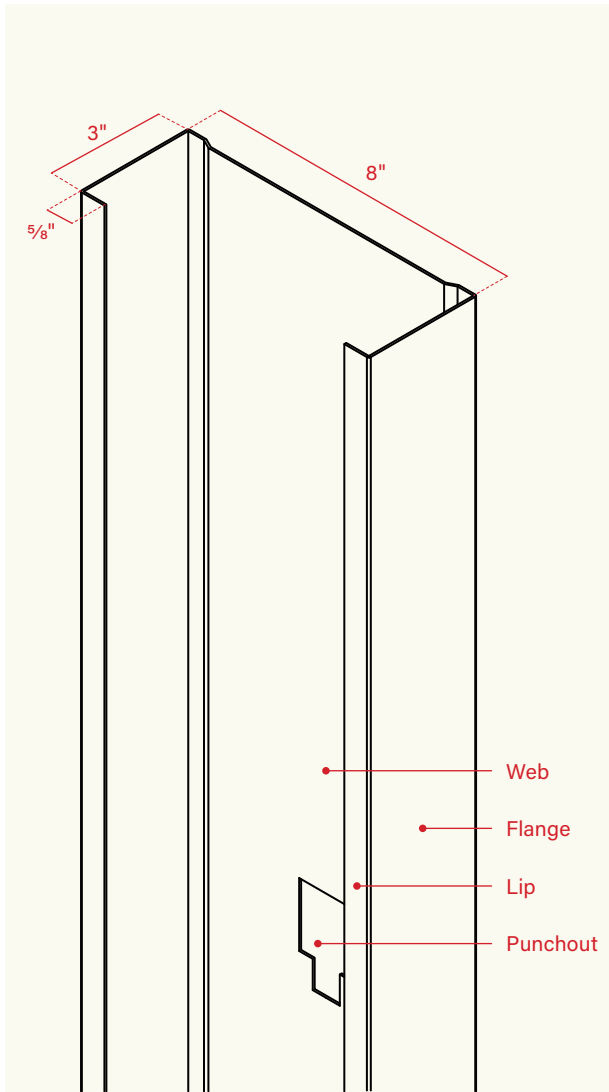
Calgary
 1324 36 Ave N.E.
 Calgary, AB, T2J 7E2

Edmonton
 9433 51 Ave N.W.
 Edmonton, AB, T6E 4W8

Phone: 403-276-6062
 steelframing@jaysmetal.com
 www.jaysmetal.com

DATA SHEET

800S300 STEEL STUD



Product Details

Product #	800S300
Web	8"
Flange	3"
Lip	5/8"
Length	8', 9', 10', 12', Custom length
Thickness	43, 54, 68, 97 MIL

Jay's Metal studs adhere to Canadian Steel Standard, ensuring quality. Load Bearing Stud is Manufactured from corrosion resistant g60 galvanized steel with standard pre punched holes for bridging & electrical applications.

Clients have the flexibility to customize orders based on specific project requirements, including dimension, thickness, and length.

Standard applicable to steel stud system, trim and accessories
 Steel profile, thickness and dimension - ASTM C645
 Steel grade - ASTM A1003
 Coating (Galvanization) - ASTM A653



Lip Dimension

Stud	Flange	Lip
S125	1 1/4"	3/16"
S162	1 5/8"	1/2"
S200	2"	5/8"
S250	2 1/2"	5/8"
S300	3"	5/8"

Stud Application

Stud	Application
600S125	Ideal for light framing and non-load-bearing walls, often used in residential construction.
600S162	Suitable for load-bearing and non-load-bearing walls.
600S200	Used in load-bearing walls and floor joists, providing greater strength and support.
600S250	Ideal for heavy load-bearing walls and structural applications in commercial buildings.
600S300	Used in high-load applications, such as multi-story buildings and industrial structures.

Product Designation

600	S	125	54
Web x 100 6 x 100 =600	S - Stud T - Track	Flange x 100 1.25 x 100=125	Thickness (mil)

Punchouts

Punchouts shall adhere to these specifications, unless the client specifies otherwise when placing the order.

- Punchouts are aligned along the centerline of the framing member's web.
- Spacing between the centers of consecutive knockouts is at least 2 feet.
- Distance from the center of the last knockout to the end of the member is at least 12 inches, unless specified otherwise.
- Maximum width of a knockout is limited to either half the depth of the member or 2.5 inches, whichever is smaller.

